

EP-5825

Corner Board Cutter

usage instructions

IT IS THE RESPONSIBILITY OF THE CUSTOMER TO ENSURE THAT ALL OPERATORS AND SERVICE PERSONNEL HAVE FULLY READ AND UNDERSTOOD THIS DOCUMENT

**READ ALL INSTRUCTIONS BEFORE OPERATING TOOLS.
FAILURE TO FOLLOW ANY OF THESE GUIDELINES COULD
RESULT IN SERIOUS OR FATAL INJURY**



P (847) 735-8105 | F (847) 735-8297
sales@encorepack.com | www.encorepack.com



201 Park Avenue, Lake Villa, IL 60046
P.O. Box 595, Winnetka, IL 60093



IMPORTANT



PLEASE READ PRIOR TO USAGE

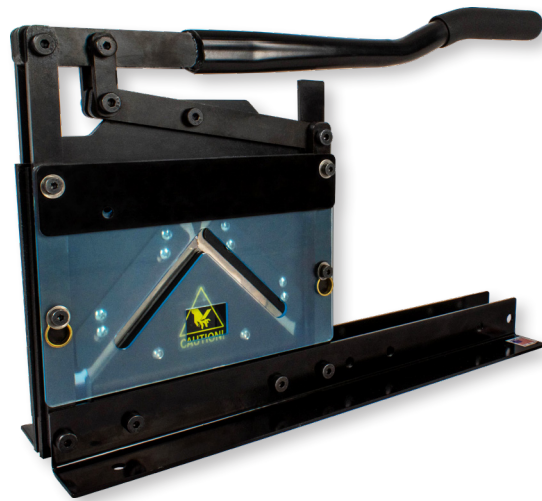
To ensure operator safety, it is important that all personnel use proper safety and handling procedures. This safety booklet is designed to educate operators on the safe use of the EP-5825 Corner Board Cutter. All personnel must read and understand this booklet prior to using this product. Failure to follow any of the recommendations in this pamphlet can result in serious injury or death.

READ PRODUCT SAFETY LABELS

- **CAUTION: SHARP BLADE WATCH YOUR FINGERS**
- **PROPERLY ANCHOR YOUR TOOL BEFORE EVERY USE**
- **KEEP HANDS CLEAR OF MOVING PARTS AND SHARP EDGES. THE TOOL CONTAINS A SHARP MOVING BLADE**
- **REPLACE ANY WORN SAFETY LABELS**

READ THE INSTRUCTIONS

Before operating this tool, read, and understand all safety, operation, and maintenance information provided in the manual which is packaged with the tool. If you do not have a manual or need extra copies, please contact your Sales Representative. Tool must be inspected for wear and tear on a daily basis with proper daily documentation.



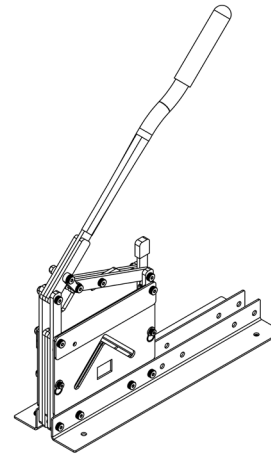
Terms & Conditions are found on our website: <https://www.encorepack.com/legal.php>

Please read our Terms & Conditions carefully prior to using or obtaining any materials, information products or services of Encore Packaging LLC, an Illinois limited liability company with a place of business at 201 Park Avenue, Lake Villa, IL 60046.

P (847) 735-8105 | F (847) 735-8297  201 Park Avenue, Lake Villa, IL 60046
sales@encorepack.com | www.encorepack.com  P.O. Box 595, Winnetka, IL 60093

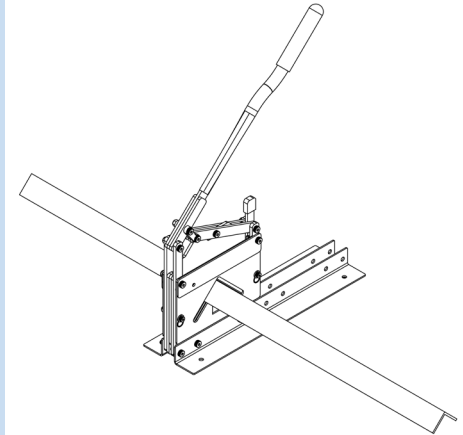
USAGE INSTRUCTIONS

Step 1



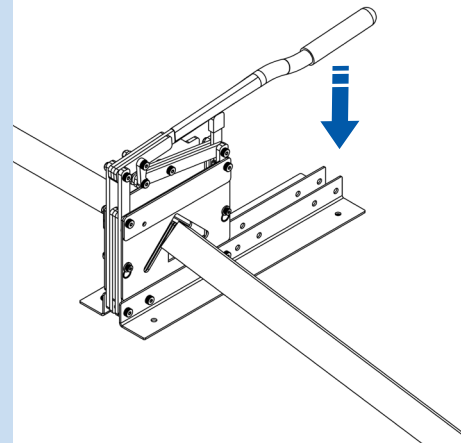
1. Lift the handle to raise the blades.

Step 2



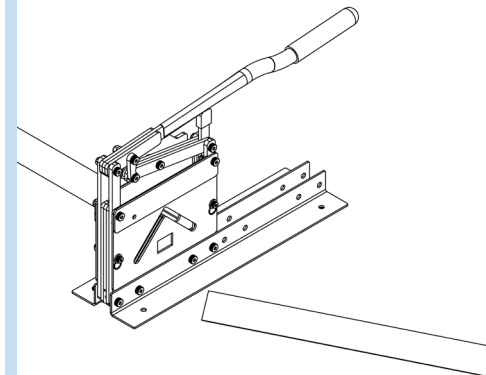
2. Slide your edge protector through the opening, aligning where you want to cut.

Step 3



3. Push down on the handle to cut.

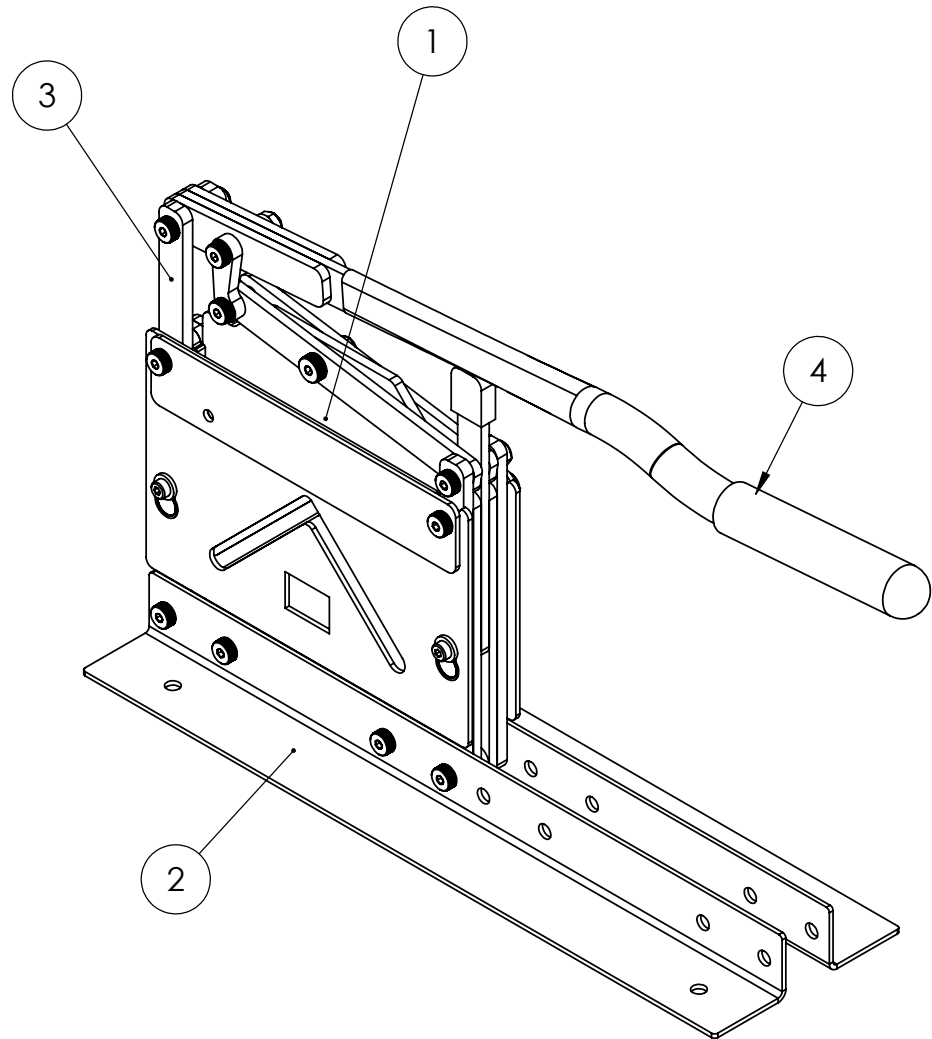
Step 4



4. Discard the excess edge protector from the other side.

EP-5825 PARTS LIST

ITEM NO.	PART NUMBER	Description	QTY.
1	E5825-01	Guillotine Assembly	1
2	E5825-02	Base Assembly	1
3	E5825-04	Main Structure	1
4	E5825-05	Handle	1



12/28/23 REV. E

This page have been intentionally left blank

This page have been intentionally left blank



P (847) 735-8105 | F (847) 735-8297
sales@encorepack.com | www.encorepack.com



201 Park Avenue, Lake Villa, IL 60046
P.O. Box 595, Winnetka, IL 60093